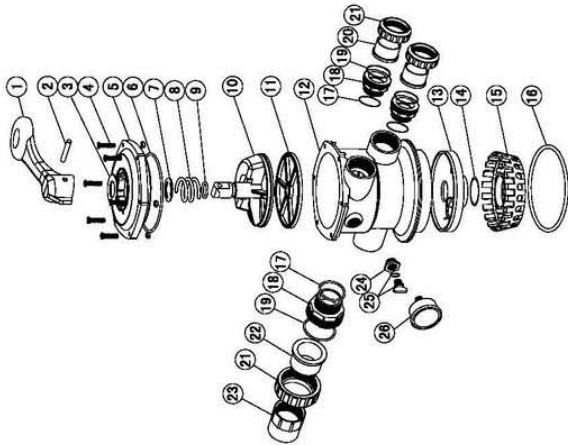


- ❖ Clean and inspect Rings; re-install on trap cover.
- ❖ Replace trap cover on trap; turn clockwise to tighten cover.

**NOTICE:** Tighten trap cover by hand only .Pump should prime now. Priming time will depend on vertical length of suction lift and horizontal length of suction piping.

### EM-MV40B VALVE REPLACEMENT PARTS

Item	Part No	Description	Qty
1	01013003	Handle(Big)	1
2	03018008	Pin for Handle	1
3	01181001	Washer for Handle	1
4	89280107	M6x30 Screw with Nut for Standard Lid	6
5	01013004	1.5"Top Mount Valve Standard Lid (Black)	1
6	02011002	O-Ring for 1.5" Valve Lid	1
7	01181002	Washer for Spring	1
8	03014001	Spring for 1.5" Top Mount Valve	1
9	02011022	O-Ring for 1.5" Valve Rotar	2
10	01021001	1.5" Valve Rotar	1
11	02031002	Spider Gasket	1
12	01013007	1.5"Top Mount Valve Bottom Body Clamp(Black)	1
13	01013011	1.5" Diffuser	1
14	02011001	O-Ring for Diffuser	1
15	01013012	1.5"Top Mount Valve Over Drain Diffuser	1
16	02011134	O-Ring	1
17	02020013	O-Ring for 1.5" Connector	3
18	01013015	1.5"Connector(Black)	3
19	02011003	O-Ring for 1.5" Union	3
20	01171153	1.5"Union (AV)	2
21	01013017	1.5"Union Nut(Black)	3
22	01041002	1.5"Union With Sight Glass (short)	1
23	01172026	1.5"Union With Sight Glass Holder	1
24	01111048	Connector for pressure gauge/stopper	1
25	02011139	Connector for pressure gauge/stopper	1
26	89021703	Drain Plug with O-ring	1
26	06011029	Oil Pressure Gauge With O-ring (40Psi)	1



Valve Position	Function
FILTER	Normal Filtration and Vacuuming
BACKWASH	Cleaning Filter by reversing the flow
RINSE	Used after backwash to flush dirt from valve
WASTE	By-passes filter, used for vacuuming to waste or lowering water level
RECIRCULATE	By-passes filter for circulating water to pool
CLOSED	Shuts off all flow to filter or pool

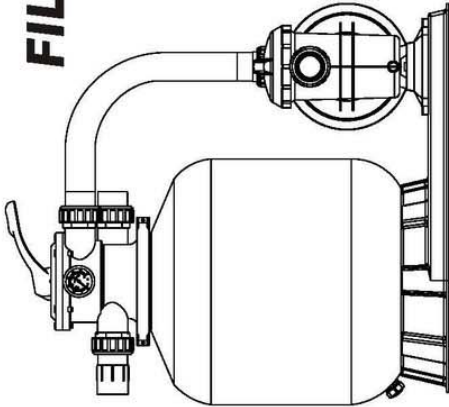
### WARNING

- ⚠ THIS FILTER OPERATES UNDER HIGH PRESSURE. WHEN ANY PART OF THE CIRCULATING SYSTEM (e.g., CLAMP, PUMP, FILTER, VALVES, ETC.) IS SERVICED, AIR CAN ENTER THE SYSTEM AND BECOME PRESSURIZED. PRESSURIZED AIR CAN CAUSE THE LID OR VALVE TO BE BLOWN OFF WHICH CAN RESULT IN SEVERE INJURY, DEATH, OR PROPERTY DAMAGE
- ⚠ TURN PUMP OFF BEFORE CHANGING VALVE POSITION.
- ⚠ TO PREVENT DAMAGE TO THE PUMP AND FOR PROPER OPERATION OF THE SYSTEM, CLEAN PUMP STRAINER AND SKIMMER BASKETS REGULARLY.
- ⚠ DO NOT UNSCREW SCREWS OF FLANGE CLAMP WHILE PUMP IS RUNNING.

## FSF350-6W, FSF450-6W

# FILTER & PUMP COMBO

## Installation & Operating Instruction



### INSTALLATION

- \* Install filtration system including pump, filter tank and multiport valve.
- \* The filter system should be installed as close as possible to the swimming pool and preferably at a level of 0.50 metres below the surface of the water in the swimming pool. Make sure there is drainage available at the place where the filter is to be installed.
- \* PUMP
  1. Only qualified, licensed personnel should install pump and wiring.
  2. Electrical Contractors Please Note: All 220 volt 50Hz pump must be wired to the main power supply through an approved and correctly rated contractor.
  3. Allow for gate valve in suction piping.
  4. Pump suction and discharge connections have moulded in thread stops, do not try to screw pipe in beyond these stops.
- \* FILTER TANK and MULTIPORT VALVE
  1. Loading the sand media. Filter sand media is loaded through the top opening of the filter.
  - a. Loosen the plastic clamps from tank neck.
  - b. Cap internal pipe with plastic cap to prevent sand from entering it.
  - c. We recommend filling tank approximately 1/2 way with water to provide a cushion effect when the filter sand is poured in. This helps protect the under-drain laterals from excessive shock.
  - d. Carefully pour in correct amount and grade of filter sand. Be sure center pipe remains centered in opening. Sand surface should be leveled and should come to about the middle of the filter tank. Remove plastic cap from internal pipe.
- 2. Assemble filter control valve to filter tank.
  - a. Insert filter control valve (with O'ring in place) into the tank neck, taking care that the center pipe slips into the hole in the bottom of the valve.
  - b. Place two plastic clamps around valve flange and tank neck and tighten just enough so that the valve may be rotated on tank for final positioning.
  - c. Carefully screw pressure gauge (with O'ring in place) into tapped hole in valve body. Do not over-tighten.
  - d. Connect pump to control valve opening marked PUMP with hose. After connections are made, tighten clamps with screwdriver, tapping around clamp with screwdriver handle to help seat valve flange clamp.
- 3. Make return to pool pipe connection to control valve opening marked RETURN and complete other necessary plumbing connections, suction lines to pump, waste, etc.
- 4. To prevent water leakage, be sure all pipe connections are tight.



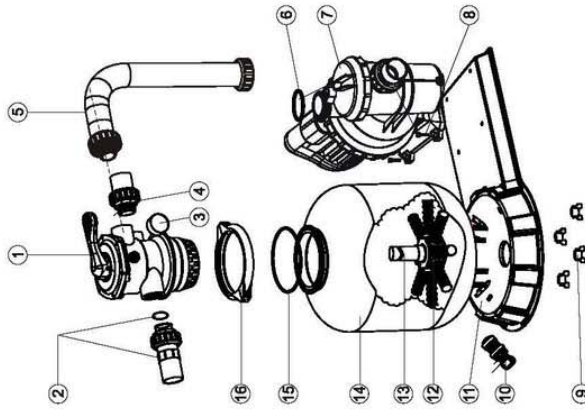
### INSTALL/START-UP OF FILTRATION

1. Be sure correct amount of filter media sand is in tank and that all connections have been made and are secure.
2. Depress control valve handle and rotate to BACKWASH position. (To prevent damage to control valve seal, always depress handle before turning.)
3. Prime and start pump. Never run pump dry! Running pump dry may damage seals, causing leakage and flooding! Fill pump with water before starting motor. (be sure all suction and return lines are open), allowing the filter tank to fill with water. Once water is flowing out of the waste line, run the pump for at least 1 minute. The initial back-washing of the filter is recommended to remove any impurities or fine sand particles in the sand media.
4. Turn pump off and set valve to RINSE position. Start pump and operate until water in sight glass is clear, about 1/2 to 1 minute. Turn pump off and set valve to FILTER position and restart pump. The filter is now operating in the normal filter mode, filtering dirt particles from the pool water.
5. Adjust pool suction and return valves to achieve desired flow. Check system and filter for water leaks and tighten connections, bolts, nuts, as required.
6. Note the initial pressure gauge reading when the filter is clean. (It will vary from pool to pool depending upon the pump and general piping system.) As the filter removes dirt and impurities from the pool water, the accumulation in the filter will cause the pressure to rise and flow to diminish. When the pressure gauge reading is 1.5 bar, higher than the initial "clean" pressure you noted, it is time to backwash the filter (see BACKWASH under filter and control valve functions).

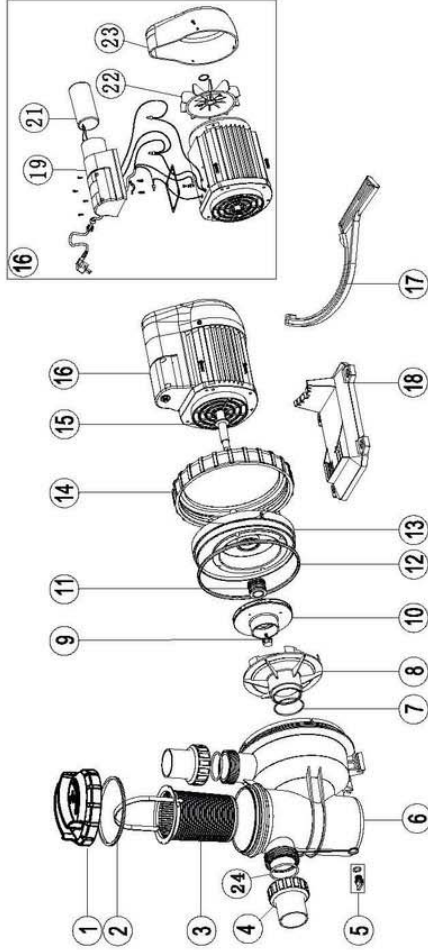
NOTE: During initial clean-up of the pool water it may be necessary to backwash frequently due to the unusually heavy initial dirt load in the water.

### REPLACEMENT PARTS OF FILTER

Item	Part No.	Description
1	88280105	1.5" Top Mount Valve
2	89280101	1.5" Union With Sight Glass, O-Ring
3	06011029	Oil Pressure Gauge With O-ring (40Psi)
	01111048	Connector for pressure gauge
4	89280102	1.5" Union Set With O-Ring
	89032004	FSF350-6W Plastic Hose with Nut
5	89032104	FSF400-6W Plastic Hose with Nut
	89032202	FSF450-6W Plastic Hose with Nut
6	02011104	O-Ring for Pump
	08030007	FSF350-6W Pump(SC050)
7	08030008	FSF400-6W Pump(SC075)
	08030009	FSF450-6W Pump(SC075)
8	89032001	Pump Assembly Screw
9	01181052	Fastener for Filter Base
10	89010107	Water Drain Set
	01111056	FSF350-6W Combo Base
11	01111053	FSF400 - FSF450 Combo Base
12	01117007	V400-V450 Laterals (115mm)
	89010106	V350 Lateral Assembly with Center Pipe and Lateral
13	89010116	V400 Lateral Assembly with Center Pipe
	89010105	V450 Lateral Assembly with Center Pipe
	89010115	V350 Filter tank
14	89010113	V400 Filter tank
	89010112	V450 Filter tank
15	02011134	O-Ring for Filter Neck
	89010119	M6-50 Screws With Nut
16	01271010	Clamp Lock



### SC PUMP REPLACEMENT PARTS



Key NO.	Part Number	Product Description	QTY	Key NO.	Part Number	Product Description	QTY
1	01041043	Transparent Lid	1	15	02011096	Motor Slinger	1
2	02011077	O-Ring for lid	1		89021705	Motor SC050(220V/50HZ)	1
3	01111076	Basket	1		89021706	Motor SC075(220V/50HZ)	1
4	89280105	1.5" union	2	16	89021707	Motor SC100(220V/50HZ)	1
5	89021307	Drain Plug With O-ring	1		89021708	Motor SC150(220V/50HZ)	1
6	01111006	SC Pump Body	1		89021709	Motor SC200(220V/50HZ)	1
7	02011105	O-ring for Diffuser	1	17	01021022	Opening Key	1
8	01111009	Diffuser	1	18	01111007	SC Pumps Base	1
9	89021309	Impeller Screw with O-ring	1	19	89021311	Cable Box for SC Pump	1
	01311009	Impeller SC050(220V/50HZ)	1	20	89021505	Cable Box for SC Pump	1
	01311010	Impeller SC075(220V/50HZ)	1		04016010	Capacitor for SC050 Pump	1
	01311011	Impeller SC100(220V/50HZ)	1	21	04016012	Capacitor for SC075 Pump	1
	01311012	Impeller SC150(220V/50HZ)	1		04016014	Capacitor for SC100-SC150 Pump	1
	01311013	Impeller SC200(220V/50HZ)	1		04016015	Capacitor for SC200 Pump	1
11	04015032	3/4" Mechanical seal	1	22	01031007	Cooling fan for SC Pump	1
12	02011089	O-ring for Flange	1	23	01031009	Fan Cover	1
13	01111008	SC Pump Flange	1		02011104	O-Ring	2
14	01021014	Ring Lock Nut	1				

### PRIMING PUMP

- ❖ Release all air from filter and piping system.
- ❖ In a flooded suction system (water source higher than pump), pump will prime itself when suction and discharge valves are opened.
- ❖ If pump is not in a flooded suction system, unscrew and remove trap cover, fill trap and pump with water.